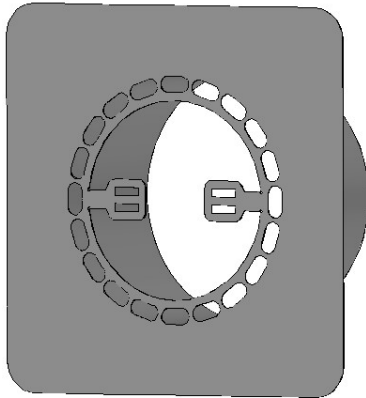


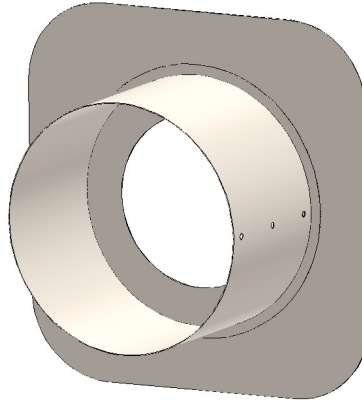
Wall Thimble with Mechanical Lock

Contents of the Wall Thimble carton:

Inside Wall Plate with Tabs & Collar



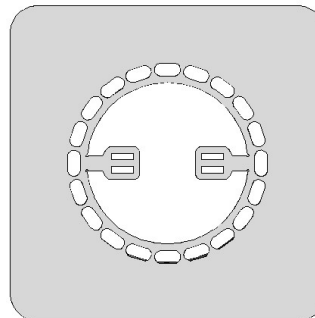
Outside Wall Plate with Collar



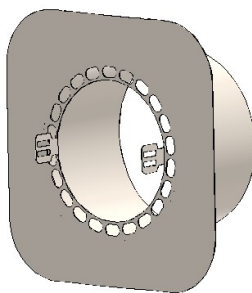
Gear Clamp



Note: The Wall Thimble is designed with integrated tabs.



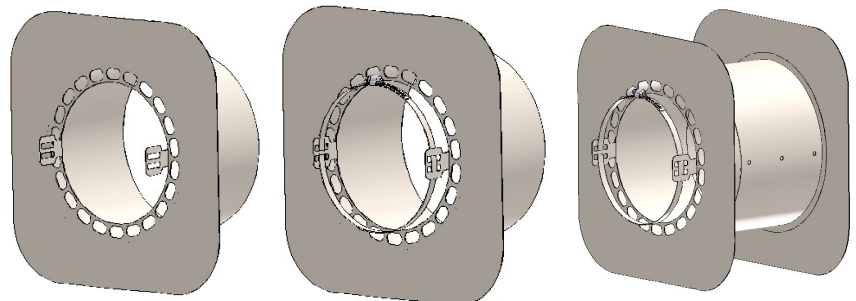
In the event that a vent elbow is installed in the wall Thimble Plate (re: Wall Hung appliance) simply bend the tabs out. Mechanical lock will not be required as the elbow will prevent movement of the vent.



Install wall thimble & vent system per the Z-Vent Installation Instructions.

With Inserted Pipe:

Bend Tabs out – Thread Gear Clamp through the tabs – Mount wall thimble per the instructions – Insert the length of pipe through wall thimble and gear clamp as prescribed – tighten gear clamp around pipe when vent system is in final position.



OINSTSUPTWT Rev. 03.2024